

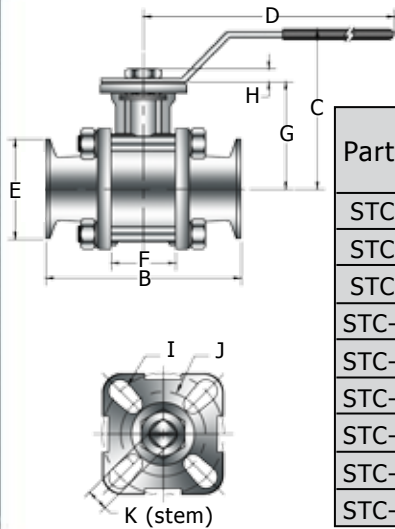


STC SERIES BALL VALVE



Features:

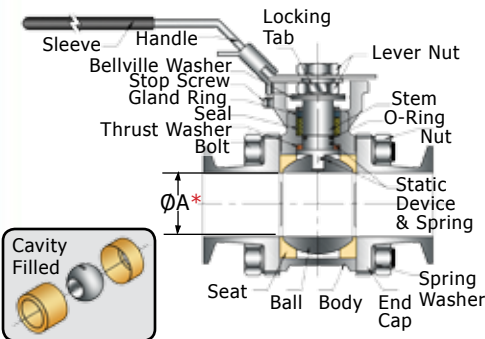
- Stainless Steel Full Port Sanitary Tri-Clamp Ball Valve
- ISO 5211 Mounting Pad w/Latch Lock Handle
- 29" Hg-1000psi WOG, Cold Non-Shock
- 316 Stainless Steel Ball+Stem, CF8M S.S. Body
- Blow Out Proof Stem
- Cavity Filled Teflon Seats Std., Cavity Fillers are Virgin PTFE-meets CFR21 (Non-Cavity Filled Seats Optional)
- Temperature 0°F to 400°F
- Complies with FDA, USDA and 3A



Dimensions

Part #	NPT	ØA*	B	C	D	E	F	G	H	I	J	K in/mm	ISO 5211	Break Torque ft/Lbs.		WT. Lbs.
														non cavity filled	cavity filled	
STC-4	1/2"	0.37	3.50	2.79	4.33	1.00	0.99	1.67	0.32	1.65	1.42	0.35/9	F03/F04	75	80	1.67
STC-6	3/4"	0.63	4.00	2.89	4.33	1.00	1.09	1.76	0.32	1.65	1.42	0.35/9	F03/F04	85	90	1.91
STC-8	1"	0.87	4.50	3.31	5.32	1.98	1.30	2.13	0.39	1.97	1.65	0.43/11	F04/F05	130	180	3.17
STC-12	1-1/2"	1.37	5.50	4.31	6.50	1.98	1.94	2.89	0.58	2.76	1.97	0.55/14	F05/F07	204	410	7.24
STC-16	2"	1.87	6.25	4.68	6.50	2.52	2.50	3.26	0.58	2.76	1.97	0.55/14	F05/F07	370	460	10.10
STC-20	2-1/2"	2.37	7.00	5.25	9.06	3.05	2.76	4.21	0.67	4.02	2.76	0.67/17	F07/F10	610	980	21.80
STC-24	3"	2.88	9.00	6.30	11.81	3.58	4.02	4.62	0.67	4.02	2.76	0.67/17	F07/F10	760	1050	29.00
STC-32	4"	3.84	9.50	6.90	11.81	8.90	4.02	5.21	0.67	4.02	2.76	0.67/17	F07/F10	1315	1420	46.50
STC-48	6"	5.78	15.50	8.51	19.68	6.57	7.42	8.50	1.06	4.92	4.02	1.06/27	F10/F12	C/F	C/F	C/F

Bill of Materials



PART	Material	PART	Material
Body	316 Stainless Steel/ CF8M	Locking Tab	304 Stainless Steel
End Caps		Handle	
Seats	PTFE	O-Ring	Viton®
Ball	316 Stainless Steel	Bolts	304 Stainless Steel
Stem		Bolt Nuts	
Thrust Washer	PTFE	Spring Washer	
Seal		Stop Screw	
Gland Ring	304 Stainless Steel	Handle Sleeve	Vinyl
Bellville Washer	301 Stainless Steel	Static Device	316 Stainless Steel
Lever Nut	304 Stainless Steel	Spring	