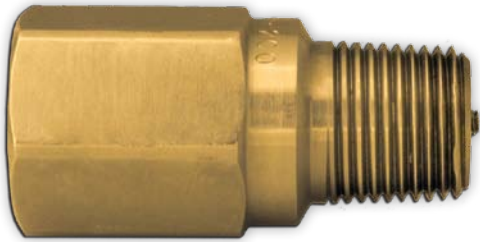
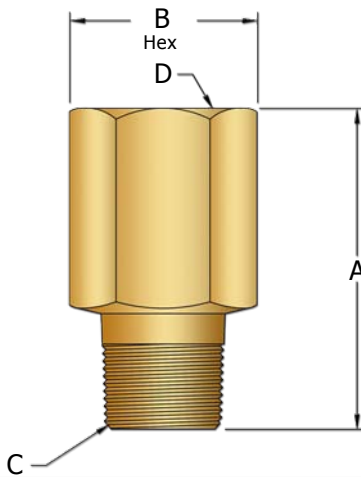


BCMF SERIES CHECK VALVE



Features:

- ASTM B16 Brass Construction
- Precision Custom Cracking Pressure Settings (0.5 - 150 psi)
- Viton Seal Standard, Other Elastomers Available, Consult Factory
- 200 psi Max Working Pressure
- Cracks +/- 5% of Set Pressure
- Working Temperature 0°F to 350°F



Dimensions

PART #	A	B	C & D	Cv
BCMF2-*	1.63	0.75	1/4"	0.25
BCMF3-*	2.12	0.87	3/8"	1.09
BCMF4-*	2.38	1.12	1/2"	1.31
BCMF6-*	2.40	1.25	3/4"	1.37
BCMF8-*	3.61	1.50	1"	2.75

* = Set Pressure

(example: for a 15.5 psi cracking pressure, part# BCMF2-15.5)

Bill of Materials

Material	Description
Body	ASTM B16
Spring	302 Stainless Steel 316 Optional
Stem	ASTM B16
O-Ring	Viton®
Spring Retainer	ASTM B16

Special Options:

SAE
BSPT
BSPP
Oxygen Clean
(consult factory)

