



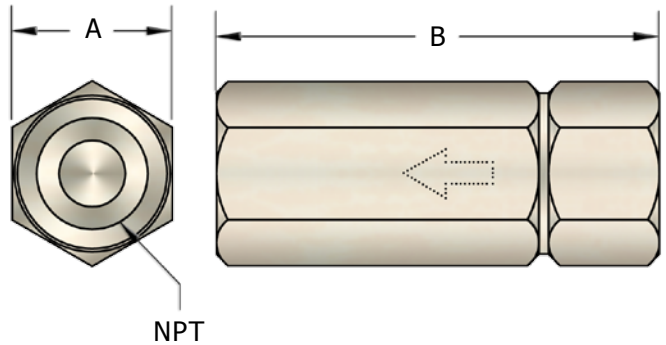
CHC SERIES CHECK VALVE



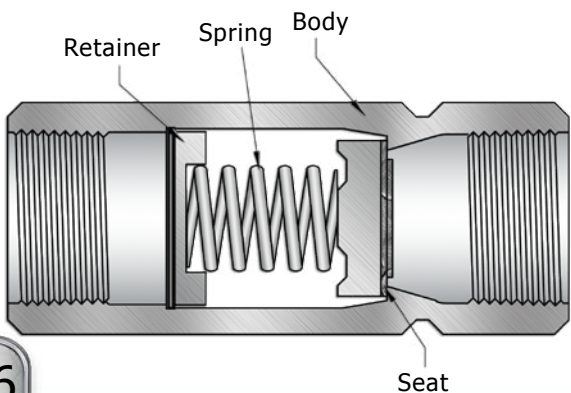
- ### Features:
- Zinc Clear Plated Steel Check Valve
 - RoHs Compliant
 - Sizes From 1/4" to 2" with 5 or 65 psi Cracking Pressure
 - Available in NPT or SAE Connections
 - Metal to Metal Seat, Case Hardened Poppet and Guide
 - Temperature -40°F to 500°F

Dimensions

PART #	NPT/SAE	A	B	Psi	Cv
CHC-2-**	1/4"NPT	2.44	0.87	6000	6
CHC-S4-**	7/16-20 ORB				
CHC-3-**	3/8"NPT	2.87	0.95	6000	9.5
CHC-S6-**	9/16-18 ORB				
CHC-4-**	1/2"NPT	3.50	1.14	5000	18
CHC-S8-**	3/4-16 ORB				
CHC-6-**	3/4"NPT	4.25	1.50	5000	30
CHC-S12-**	1 1/16-12 ORB				
CHC-8-**	1"NPT	5.12	1.69	5000	35
CHC-S16-**	1 5/16-12 ORB				
CHC-10-**	1-1/4"NPT	5.56	2.40	3000	60
CHC-S20-**	1 5/8-12 ORB				
CHC-12-**	1-1/2"	5.56	2.56	3000	90
CHC-S24-**	1 7/8-12 ORB				
CHC-16-**	2"	7.91	3.15	3000	145



Note:
 ** = Cracking Pressure
 (5 = 5 Psi, 65 = 65 Psi)



Bill of Materials

Description	Material
Entire Construction	Zinc Plated Steel RoHs Compliant