



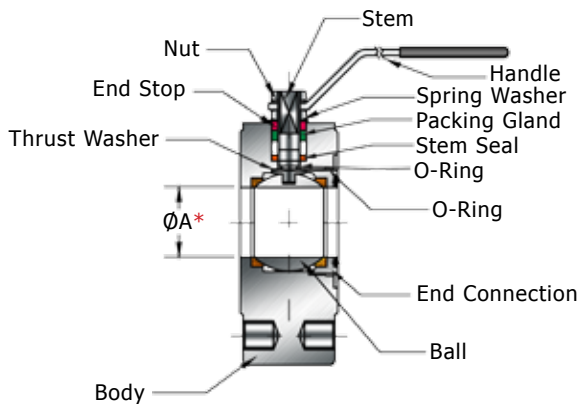
## CWFF150/SWFF150 SERIES BALL VALVE



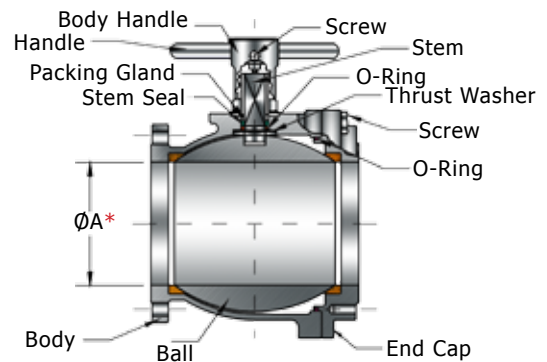
### Features:

- Full Port Wafer ANSI Class 150 & 300
- Class 150 29"Hg-285psi, Cold Non-Shock
- Class 300 29"Hg-740psi, Cold Non-Shock
- Stainless Steel Ball and Stem
- Blowout Proof Stem with Adjustable Packing
- Temperature -4°F to 366°F

### Class 150



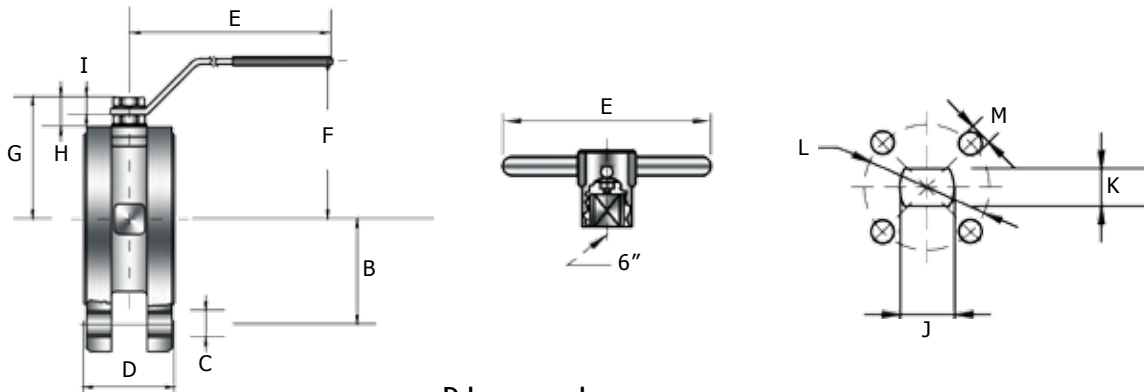
### Class 300



### Bill of Materials

PART	Stainless Steel	Carbon Steel
Body	A479-316/A351-CF8M	ASTM A105
End Connection	A479-316/A351-CF8M	ASTM A105
Ball	AISI 316-CF8M	AISI 304
Ball Seats	RPTFE	RPTFE
O-Ring	FKM (Viton®)	FKM (Viton®)
Thrust Washer	PTFE	PTFE
O-Ring	FKM (Viton®)	FKM (Viton®)
Stem Seal	PTFE	PTFE
Packing Gland	Steel	Steel
End Stop	Steel	Steel
Spring Washer	Steel	Steel
Nut	Steel	Steel
Stem	A182-F316 (150)/AISI 316 (300)	AISI 304
Handle	Steel	Steel
Handle (6"-8")	Steel	Steel
Screw	Steel	Steel
Screw	Steel	Steel
Body Handle (6"-8")	Cast Iron	Cast Iron

# CWFF300/SWFF300 SERIES BALL VALVE



## Dimensions

PART#	ANSI Class	Version	NPT	ØA*	B	C UNC	D	E	F	G	H	I	J	K	L	M	Cv	Lbs
SWFF150-4	150	Stainless	1/2"	0.59	3.50	4x1/2"	1.37	5.17	2.53	1.85	0.61	0.35	0.39	0.27	F03	4xM5	18.90	2.86
CWFF150-4		Carbon		0.59	3.50	4x1/2"	1.37	5.17	2.53	1.85	0.61	0.35	0.39	0.27	F03	4xM5	18.90	2.86
SWFF300-4	300	Stainless	1/2"	0.59	3.75	4x1/2"	1.38	5.17	2.54	1.85	0.45	0.33	0.39	0.28	F03	4xM5	18.90	3.10
CWFF300-4		Carbon		0.59	3.75	4x1/2"	1.38	5.17	2.54	1.85	0.45	0.33	0.39	0.28	F03	4xM5	18.90	3.10
SWFF150-6	150	Stainless	3/4"	0.78	3.88	4x1/2"	1.57	5.17	2.71	2.02	0.61	0.35	0.39	0.27	F03	4xM5	34.22	3.96
CWFF150-6		Carbon		0.78	3.88	4x1/2"	1.57	5.17	2.71	2.02	0.61	0.35	0.39	0.27	F03	4xM5	34.22	3.96
SWFF300-6	300	Stainless	3/4"	0.78	4.62	4x5/8"	1.57	5.17	2.71	2.03	0.37	0.33	0.39	0.28	F03	4xM5	34.22	5.50
CWFF300-6		Carbon		0.78	4.62	4x5/8"	1.57	5.17	2.71	2.03	0.37	0.33	0.39	0.28	F03	4xM5	34.22	5.50
SWFF150-8	150	Stainless	1"	0.98	4.25	4x1/2"	1.81	6.87	3.16	2.40	0.76	0.45	0.47	0.31	F04	4xM5	49.88	5.95
CWFF150-8		Carbon		0.98	4.25	4x1/2"	1.81	6.87	3.16	2.40	0.76	0.45	0.47	0.31	F04	4xM5	49.88	5.95
SWFF300-8	300	Stainless	1"	0.98	4.88	4x5/8"	1.81	6.87	3.17	2.40	0.51	0.45	0.47	0.32	F04	4xM5	49.88	6.80
CWFF300-8		Carbon		0.98	4.88	4x5/8"	1.81	6.87	3.17	2.40	0.51	0.45	0.47	0.32	F04	4xM5	49.88	6.80
SWFF150-10	150	Stainless	1-1/4"	1.26	4.62	4x1/2"	2.12	6.87	3.32	2.53	0.64	0.45	0.47	0.31	F04	4xM5	103.24	9.47
CWFF150-10		Carbon		1.26	4.62	4x1/2"	2.12	6.87	3.32	2.53	0.64	0.45	0.47	0.31	F04	4xM5	103.24	9.47
SWFF300-10	300	Stainless	1-1/4"	1.26	5.25	4x5/8"	2.12	6.87	3.33	2.54	0.65	0.45	0.47	0.32	F04	4xM5	103.24	9.30
CWFF300-10		Carbon		1.26	5.25	4x5/8"	2.12	6.87	3.33	2.54	0.35	0.45	0.47	0.32	F04	4xM5	103.24	9.30
SWFF150-12	150	Stainless	1-1/2"	1.57	5.00	4x1/2"	2.50	9.86	4.03	3.07	0.96	0.51	0.62	0.39	F05	4xM6	266.80	7.27
CWFF150-12		Carbon		1.57	5.00	4x1/2"	2.50	9.86	4.03	3.07	0.96	0.51	0.62	0.39	F05	4xM6	266.80	11.31
SWFF300-12	300	Stainless	1-1/2"	1.57	6.12	4x3/4"	2.50	9.86	4.03	3.07	0.80	0.47	0.62	0.39	F05	4xM6	266.80	15.00
CWFF300-12		Carbon		1.57	6.12	4x3/4"	2.50	9.86	4.03	3.07	0.80	0.47	0.62	0.39	F05	4xM6	266.80	15.00
SWFF150-16	150	Stainless	2"	1.97	6.00	4x5/8"	3.22	9.86	4.37	3.42	0.98	0.53	0.62	0.39	F05	4xM6	307.40	12.12
CWFF150-16		Carbon		1.97	6.00	4x5/8"	3.22	9.86	4.37	3.42	0.98	0.53	0.62	0.39	F05	4xM6	307.40	19.18
SWFF300-16	300	Stainless	2"	1.97	6.50	8x5/8"	3.23	9.86	4.43	3.43	0.63	0.47	0.62	0.39	F05	4xM6	307.40	23.00
CWFF300-16		Carbon		1.97	6.50	8x5/8"	3.23	9.86	4.43	3.43	0.63	0.47	0.62	0.39	F05	4xM6	307.40	23.00
SWFF150-20	150	Stainless	2-1/2"	2.52	7.00	4x5/8"	4.05	12.65	5.03	4.11	1.10	0.70	0.78	0.55	F07	4xM8	626.40	21.16
CWFF150-20		Carbon		2.52	7.00	4x5/8"	4.05	12.65	5.03	4.11	1.10	0.70	0.78	0.55	F07	4xM8	626.40	34.17
SWFF300-20	300	Stainless	2-1/2"	2.52	7.50	8x3/4"	4.05	12.66	5.08	4.11	0.73	0.67	0.78	0.55	F07	4xM8	626.40	39.00
CWFF300-20		Carbon		2.52	7.50	8x3/4"	4.05	12.66	5.08	4.11	0.73	0.67	0.78	0.55	F07	4xM8	626.40	39.00
SWFF150-24	150	Stainless	3"	2.99	7.50	4x5/8"	4.80	12.65	5.45	4.52	1.12	0.70	0.78	0.55	F07	4xM8	1012.68	28.21
CWFF150-24		Carbon		2.99	7.50	4x5/8"	4.80	12.65	5.45	4.52	1.12	0.70	0.78	0.55	F07	4xM8	1012.68	45.85
SWFF300-24	300	Stainless	3"	2.99	8.25	8x3/4"	4.80	12.66	5.45	4.53	0.83	0.71	0.78	0.55	F07	4xM8	1012.68	55.00
CWFF300-24		Carbon		2.99	8.25	8x3/4"	4.80	12.66	5.45	4.53	0.83	0.71	0.78	0.55	F07	4xM8	1012.68	55.00
SWFF150-32	150	Stainless	4"	3.74	9.00	8x5/8"	5.98	15.01	6.16	5.39	1.35	0.86	0.94	0.70	F10	4xM10	1612.40	46.07
CWFF150-32		Carbon		3.74	9.00	8x5/8"	5.98	15.01	6.16	5.39	1.35	0.86	0.94	0.70	F10	4xM10	1612.40	75.39
SWFF300-32	300	Stainless	4"	3.74	10.00	8x3/4"	5.98	15.02	6.20	5.39	0.93	0.83	0.94	0.71	F10	4xM10	1612.40	100.00
CWFF300-32		Carbon		3.74	10.00	8x3/4"	5.98	15.02	6.20	5.39	0.93	0.83	0.94	0.71	F10	4xM10	1612.40	100.00
SWFF150-48	150	Stainless	5"	4.92	10.00	8x3/4"	7.71	15.01	7.02	6.25	1.33	0.86	0.94	0.70	F10	4xM10	1980.12	82.67
CWFF150-48		Carbon		4.92	10.00	8x3/4"	7.71	15.01	7.02	6.25	1.33	0.86	0.94	0.70	F10	4xM10	1980.12	115.74
SWFF300-48	300	Stainless	5"	N/A	N/A	N/A	N/A	N/A	N/A	N/A	N/A	N/A	N/A	N/A	N/A	N/A	N/A	N/A
CWFF300-48		Carbon		N/A	N/A	N/A	N/A	N/A	N/A	N/A	N/A	N/A	N/A	N/A	N/A	N/A	N/A	N/A
SWFF150-64	150	Stainless	6"	5.91	11.00	8x3/4"	9.13	27.55	9.33	7.93	2.02	1.18	1.65	1.18	F12	4xM12	2347.84	101.63
CWFF150-64		Carbon		5.91	11.00	8x3/4"	9.13	27.55	9.33	7.93	2.02	1.18	1.65	1.18	F12	4xM12	2347.84	135.50
SWFF300-64	300	Stainless	6"	5.91	15.74	12x3/4"	9.13	27.56	9.33	7.93	2.03	1.18	1.65	1.18	F12	4xM12	2347.84	223.00
CWFF300-64		Carbon		5.91	12.50	12x3/4"	9.13	27.56	9.33	7.93	2.03	1.18	1.65	1.18	F12	4xM12	2347.84	223.00