



NB-NBSS SERIES BALL VALVE



NB-Series

MSS SP-110 Compliant

NBSS-Series

NB-Series:

- Nickel Plated Brass
- Pressure Rating 450psi WOG
- Temperature to 330°F
- Blowout Proof Stem, Chrome Plated Ball
- PTFE Seats and Viton® O-Rings

NBSS-Series:

- 316 Stainless Steel
- Pressure Rating 800Psi WOG
- Temperature to 350°F
- Blowout Proof Stem
- PTFE Seats and Viton® O-Rings

Features:

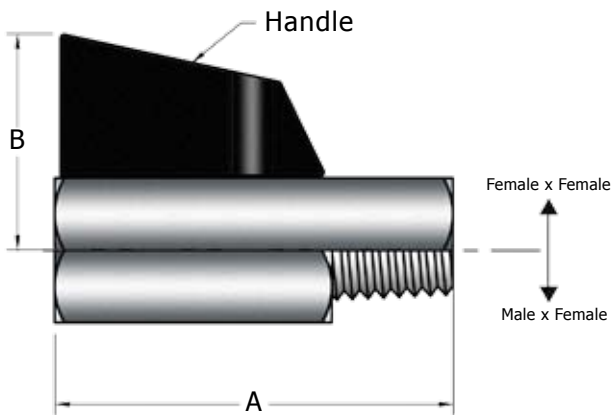
Dimensions

Nickel Plated Brass

PART #		NPT	A	B	Cv	Wt. Lbs.
Female x female	Male x female					
NB-1	NB-M1	1/8"	1.61	1.16	5.00	0.25
NB-2	NB-M2	1/4"	1.69	1.16	5.00	0.20
NB-3	NB-M3	3/8"	1.69	1.16	3.13	0.17
NB-4	NB-M4	1/2"	2.16	1.24	6.26	0.28
NB-6	NB-M6	3/4"	2.36	2.36	8.46	0.49

Stainless Steel

PART #		NPT	A	B	Cv	Wt. Lbs.
Female x female	Male x female					
SSNB-2	SSNB-M2	1/4"	1.69	1.16	5.00	0.36
SSNB-3	SSNB-M3	3/8"	1.69	1.16	3.13	0.35
SSNB-4	SSNB-M4	1/2"	2.16	1.24	6.26	0.35



Bill of Materials

PART	NB &NB-M Series	SSNB & SSNB-M Series
Body	Nickel Plated Brass	Stainless Steel
Retainer		
Ball	CW 617N 12165	
Stem	AISI 316	
Ball Seat	PTFE	PTFE
O-Ring	Viton®	Viton®
Screw	Steel 6/S	304 Stainless Steel
Handle	Glass Reinforced Nylon	ABS Plastic

