

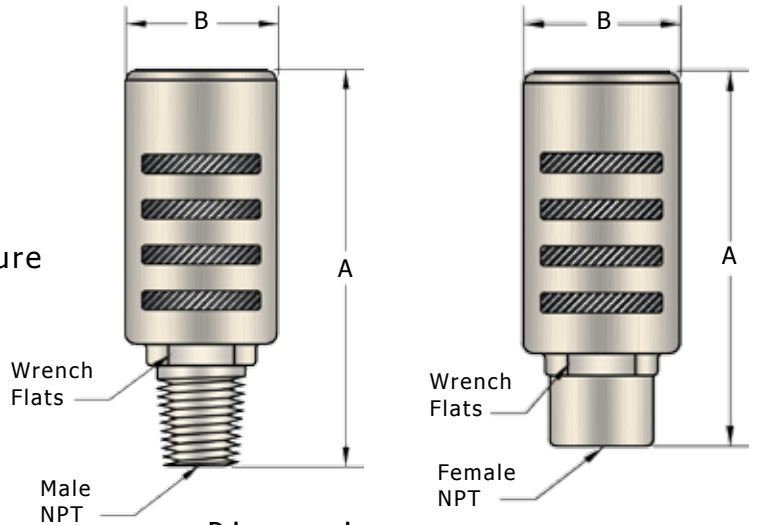


MHM and FHM Series Mufflers

Features:

MHM and FHM Series:

- Aluminum Housing
- Stainless Steel Wire Screen
- 300 PSIG Maximum Working Pressure
- Temperature 35°F to 160°F



MHM



FHM

Dimensions:

Part	NPT Size	A	B	Wrench Flats	Body	Screen
MHM-1	1/8"	1.88	0.80	5/8"	Aluminum Note: Available in Stainless Steel	Stainless Steel Wire
MHM-2	1/4"	1.88	0.80	5/8"		
MHM-3	3/8"	3.25	1.23	1"		
MHM-4	1/2"	3.25	1.23	1"		
MHM-6	3/4"	4.63	2.00	1-5/8"		
MHM-8	1"	4.63	2.00	1-5/8"		

Part	NPT Size	A	B	Wrench Flats	Body	Screen
FHM-1	1/8"	1.88	0.80	5/8"	Aluminum Note: Available in Stainless Steel	Stainless Steel Wire
FHM-2	1/4"	1.88	0.80	5/8"		
FHM-3	3/8"	3.25	1.23	1"		
FHM-4	1/2"	3.25	1.23	1"		
FHM-6	3/4"	4.63	2.00	1-5/8"		
FHM-8	1"	4.63	2.00	1-5/8"		
FHM-10	1-1/4"	5.50	C/F	2-1/2"		
FHM-12	1-1/2"	5.50	C/F	2-1/2"		
FHM-16	2"	6.44	C/F	3"		

