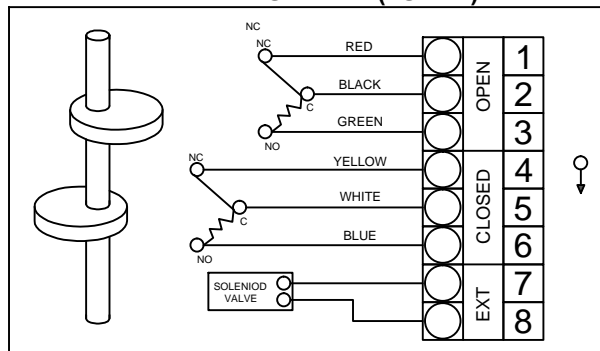


DESCRIPTION	MATERIAL	QTY
BODY	DI-CAST ALUMINUM-POWDER EPOXY COATED	1
POSITION INDICATOR	POLY CARBONATE	1
BOLT	316 STAINLESS STEEL	4
SHAFT (STEM)	316 STAINLESS STEEL	1
MICRO SWITCH	POLYCARBONATE	2
SEAL	EPDM	1
MOUNTING BRACKET	STEEL	1

**\*IP:67 ENCLOSURE**

**WIRING DIAGRAM  
MECHANICAL SWITCH (2SPDT)**



DRAWING NAME:

**S2 Dimensional & Material**

MATERIAL:

**A**

DRAWING NUMBER:

REV.

**1**

SCALE: N.T.S.

NAME: MJB

DATE: 1-6-14