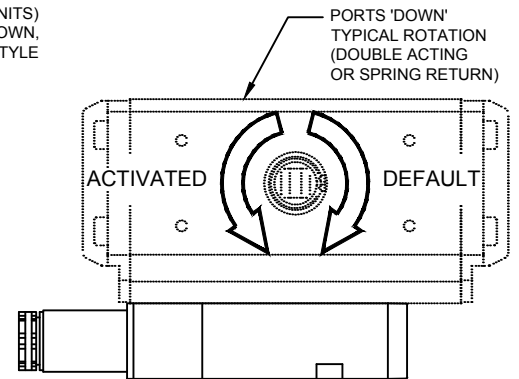
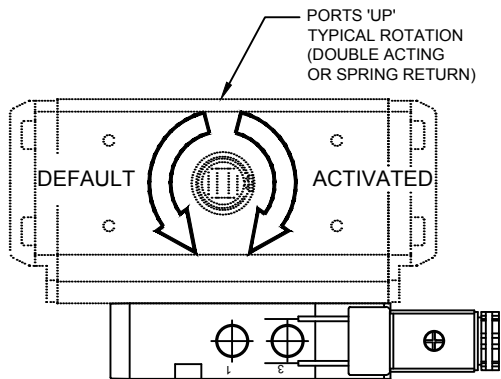
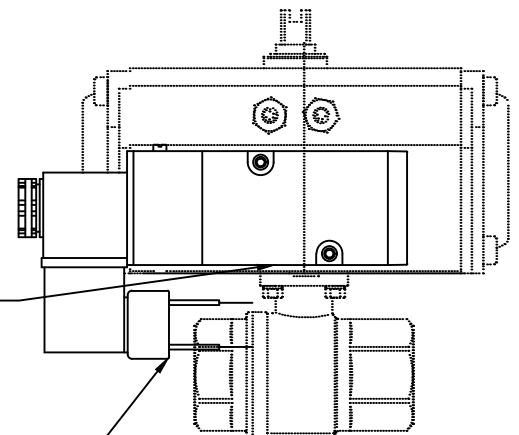
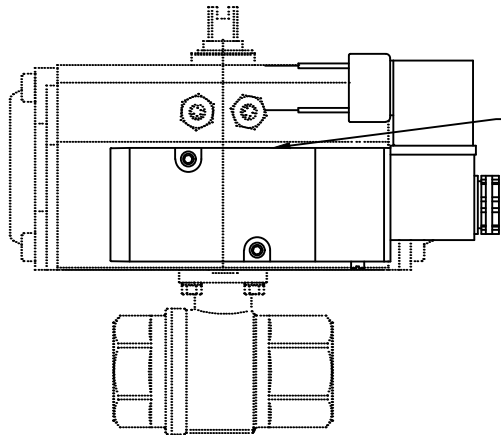




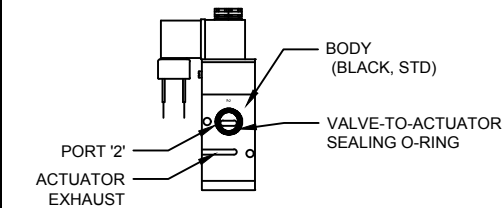
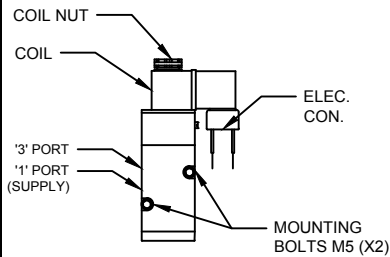
**UNIVERSAL COMPONENTS, INC**  
**N3S SERIES SOLENOID VALVE: INSTALLATION INFORMATION**

**TYPICAL  
 INSTALLATION  
 CONFIGURATIONS**



2-WIRE INPUT (TYPICAL) ALL VOLTAGES  
 (EXCEPT EXPLOSION PROOF UNITS)  
 CONDUIT CONNECTION SHOWN,  
 ALSO AVAILABLE IN DIN STYLE

SOLENOID VALVE SHOWN ON  
 PNEUMATIC ACTUATED 2-WAY  
 BALL VALVE ASSEMBLY, BUT IS  
 SUITABLE FOR MANY OTHER  
 APPLICATIONS. CONSULT  
 CATALOG OR FACTORY FOR  
 FURTHER INFORMATION AND  
 USAGE OPTIONS, INCLUDING  
 EXPLOSION PROOF, DOUBLE  
 COIL AND REVERSE PORT FLOW.



**MANUAL OVER RIDE**



- USAGE
- TO ACTIVATE MOMENTARILY, PUSH DOWN. RELEASE TO END OVER RIDE.
  - TO LOCK INTO OVER-RIDE, USE SMALL FLAT HEAD SCREWDRIVER, PRESS DOWN, ROTATE 1/4 TURN CLOCKWISE.
  - TO DE-ACTIVATE, PRESS DOWN, ROTATE 1/4 TURN COUNTER-CLOCKWISE, AND RELEASE

**INSTALLATION NOTES:**

**ALL ELECTRICAL POWER MUST BE 'OFF' AND AIR PRESSURE MUST AT '0' WITH LINE SUPPLY OFF PRIOR TO AND DURING INSTALLATION. EQUIPMENT DAMAGE, INJURY OR DEATH MAY OCCUR OTHERWISE**

- USE SUPPLIED M5 SCREWS (25, 30 OR 35 LENGTH DEPENDING UPON ACTUATOR)
- MAKE SURE O-RING IS IN PLACE ON OUTPUT SIDE ('2' PORT)
- ONLY APPLY VOLTAGE DENOTED ON COIL. ANY OTHER APPLIED VOLTAGE ASIDE FROM WHAT IS PRINTED ON COIL MAY RESULT IN DAMAGE SYSTEM DAMAGE, NON-OPERATION, OR/AND INJURY OR FIRE.
- VALVE REQUIRES A MINIMUM OF 80 PSI DRY OR OILED, CLEAN AIR, TO PORT '1'.
- CONNECT ELECTRICAL SIGNAL WIRES, AVAILABLE VOLTAGES ARE :
 

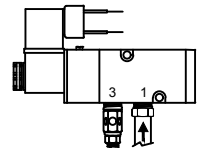
12 VAC	12VDC
24VAC	24VDC
110 VAC	220 VAC
- SUPPLIED AIR TO BE TO PORT '1' ON BODY ONLY
- NON-ENERGIZED FLOW: 'ACTUATOR EXHAUST' CHANNEL' WILL BE OPEN IN NON ENERGIZED POSITION, PORT '3' MUST BE OPEN TO VENT TO ALLOW SOLENOID/ACTUATOR TO FUNCTION.

PLEASE CONTACT US FOR OPTIONS, APPLICATION, ORDERING AND ANY OTHER INQUIRIES

**EXHAUST OUTPUT OPTIONS**

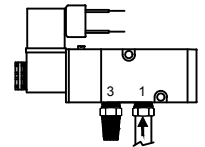
**ADJUSTABLE SPEED CONTROL**

ALLOW FOR PRECISE CONTROL OF OPENING AND CLOSING SPEEDS. ALSO FILTERS OUT EXTERNAL DEBRIS AND CONTAMINATES. CAN BE USED ON ONE OR BOTH EXHAUST PORTS



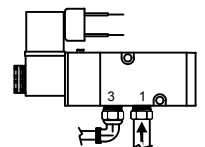
**MUFFLERS AND BREATHER VENT**

FILTERS OUT EXTERNAL DEBRIS AND CONTAMINATES. CAN BE USED ON ONE OR BOTH EXHAUST PORTS. REDUCES SOUND LEVEL



**PLUMB TO EXTERNAL TANK OR CONTROL**

PLUMB EXHAUSTS OUT TO EXTERNAL TANK, EXTERIOR REMOTE VENT, OR ANOTHER PNEUMATIC DEVICE FOR INPUT SIGNAL



UNIVERSAL COMPONENTS, INC  
 1313 HALL SPENCER ROAD  
 ROCKHILL, SC, 29730  
 803-324-5176  
 WWW.UCIMFG.COM