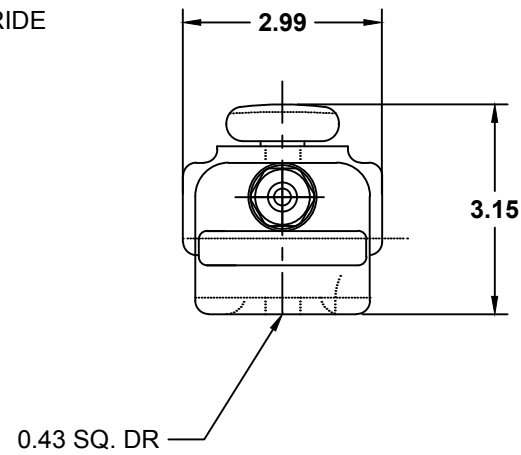
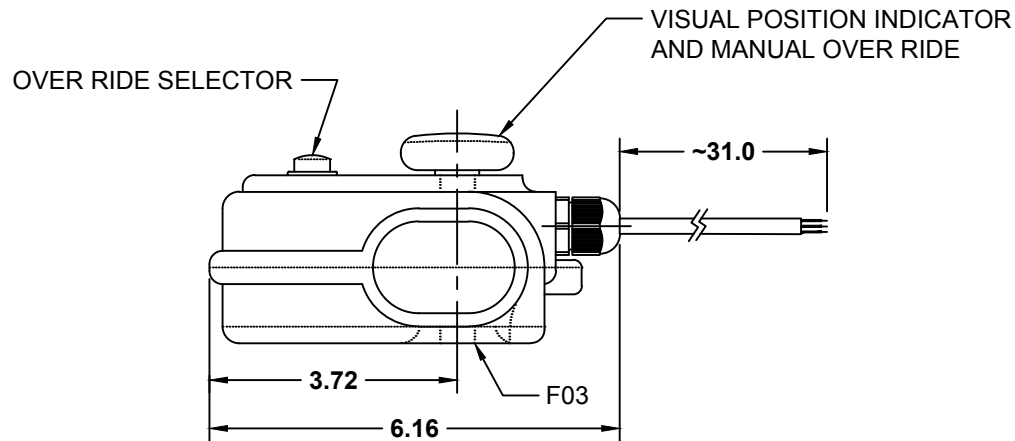


### ACTUATOR NOTES

HOUSING MATERIAL	HIGH IMPACT PLASTIC
RATINGS/CERTIFICATIONS	IP65 / TYPE 4
OPERATING TEMP	-4°F TO 131°F
TORQUE	89 IN/LBS (10.5 Nm)
0° TO 90° CYCLE TIME	8 SEC.
VOLTAGES AVAILABLE:	24VAC/DC (75% DUTY CYCLE) 0.6 AMP
	110 VAC (75% DUTY CYCLE) 0.41 AMP



DRAWING NAME:  
10 SERIES ELECTRIC ACTUATOR:  
(12VAC/DC, 24 VAC/DC, 110-240 VAC)

MATERIAL:	<b>A</b>	DRAWING NUMBER: VB010-0XX	REV. <b>2</b>
SCALE: N.T.S.	NAME: MCH	DATE: 10-22-2018	

THIS DOCUMENT IS PROPERTY OF UNIVERSAL COMPONENTS, INC.  
ANY REPRODUCTION, DISCLOSURE, OR USE OF THIS DOCUMENT IS  
EXPRESSLY PROHIBITED UNLESS OTHERWISE AGREED UPON IN WRITING.  
\*ALL SPECIFICATIONS SUBJECT TO CHANGE WITHOUT NOTICE.\*