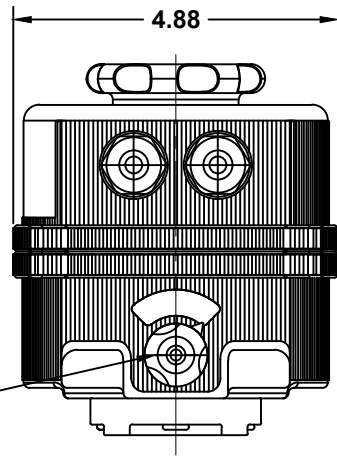
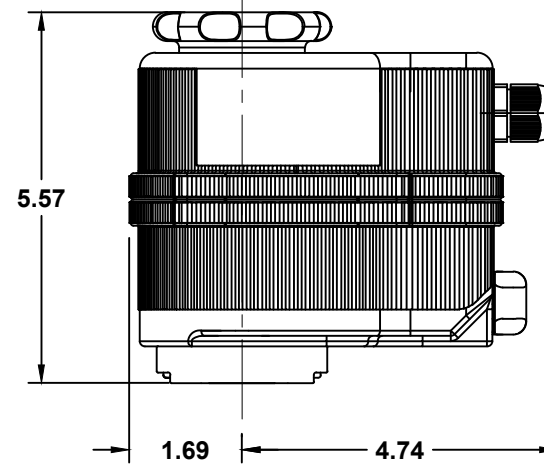


VISUAL POSITION INDICATOR  
AND MANUAL OVER RIDE

ACTUATOR NOTES	
HOUSING MATERIAL	HIGH IMPACT PLASTIC
RATINGS/CERTIFICATIONS	IP65
OPERATING TEMP	-4°F TO 131°F
TORQUE	133 IN/LBS (15 Nm)
0° TO 90° CYCLE TIME	10 SEC.
VOLTAGES AVAILABLE:	12 VAC/DC (50% DUTY CYCLE) 1.2 AMP
	24VAC/DC (75% DUTY CYCLE) 0.6 AMP
	100-240 VAC (75% DUTY CYCLE) 0.3-0.19 AMP
LIMIT SWITCHES	2 INTERNAL, STANDARD
INTERNAL HEATER	STANDARD FEATURE

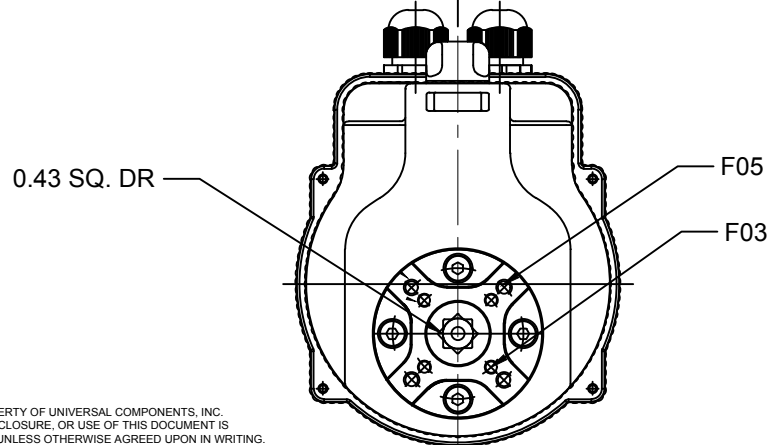


OVER RIDE SELECTOR



PG11 STYLE  
CONNECTOR X2

0.63      0.63



0.43 SQ. DR

F05

F03

THIS DOCUMENT IS PROPERTY OF UNIVERSAL COMPONENTS, INC.  
ANY REPRODUCTION, DISCLOSURE, OR USE OF THIS DOCUMENT IS  
EXPRESSLY PROHIBITED UNLESS OTHERWISE AGREED UPON IN WRITING.  
\*ALL SPECIFICATIONS SUBJECT TO CHANGE WITHOUT NOTICE.\*



DRAWING NAME:  
15 SERIES ELECTRIC ACTUATOR:  
(12VAC/DC, 24 VAC/DC, 110-240 VAC)

MATERIAL:	<b>A</b>	DRAWING NUMBER: VB015-0XX	REV. <b>2</b>
SCALE: N.T.S.	NAME: MCH	DATE: 10-23-18	