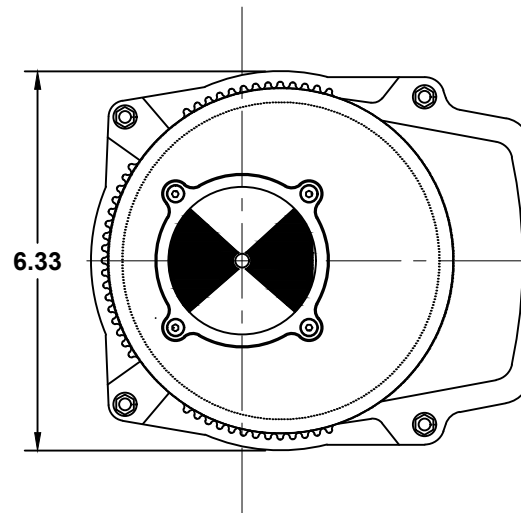


**BOTTOM VIEW**



**TOP VIEW**

**ACTUATOR NOTES**

HOUSING MATERIAL	POWDER COATED CAST ALUMINUM
RATINGS/CERTIFICATIONS	IP67, UL NMTR.E303174, ROHS 2011/65/EU, CLASS 1 SHOCK PROTECTION
OPERATING TEMP	-4°F TO 131°F
TORQUE	266 IN/LBS (30 Nm)
0° TO 90° CYCLE TIME	8 SEC.
VOLTAGES AVAILABLE:	12 VAC/DC
	1.2 AMP
	24VAC/DC
	0.6 AMP
	100-240 VAC
	0.4-0.2 AMP
LIMIT SWITCHES	2 INTERNAL, STANDARD
INTERNAL HEATER	STANDARD FEATURE
BATTERY BACKUP FAILSAFE	OPTIONAL
4-20mA FEEDBACK	OPTIONAL



DRAWING NAME:

**VB030M-0XX**

MATERIAL:

**A**

DRAWING NUMBER:  
VB030-0XX

REV.  
**1**

SCALE: N.T.S.

NAME: MCH

DATE: 7-27-16