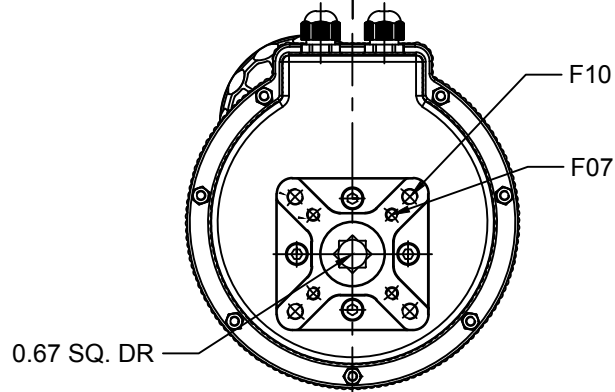
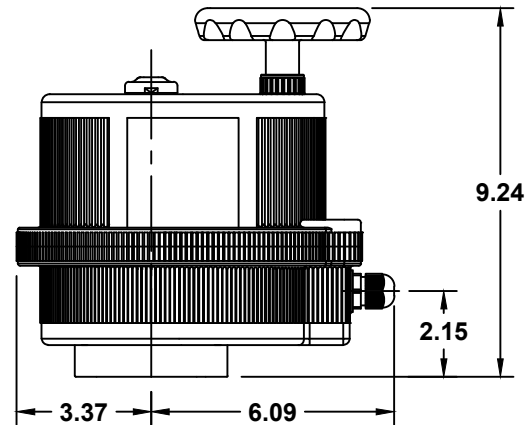


PG11 CONNECTOR  
STYLE X2

0.80      0.80



ACTUATOR NOTES	
HOUSING MATERIAL	HIGH IMPACT PLASTIC
RATINGS/CERTIFICATIONS	IP67
OPERATING TEMP	-4°F TO 131°F
TORQUE	VB110M: 975 IN/LBS (110 Nm) VB190M: 1680 IN/LBS (190 Nm)
0° TO 90° CYCLE TIME	27 SEC.
VOLTAGES AVAILABLE:	12 VAC/DC (50% DUTY CYCLE) VB110: 1.8-2.8 AMP, VB190: 2.85-3.8 AMP 24VAC/DC (75% DUTY CYCLE) VB110: 0.7-1.0 AMP, VB190: 1.2-1.8 AMP 100-240 VAC (75% DUTY CYCLE) VB110: 0.2-0.4 AMP, VB190: 0.3-0.6 AMP
LIMIT SWITCHES	2 INTERNAL, STANDARD
INTERNAL HEATER	STANDARD FEATURE
BATTERY BACKUP FAILSAFE	OPTIONAL
4-20mA FEEDBACK	OPTIONAL



DRAWING NAME:  
110-190 SERIES ELECTRIC ACTUATOR:  
(12VAC/DC, 24 VAC/DC, 110-240 VAC)

MATERIAL:	<b>A</b>	DRAWING NUMBER: VB0110-190-0XX	REV. <b>1</b>
SCALE: N.T.S.	NAME: MCH	DATE:	8-31-16