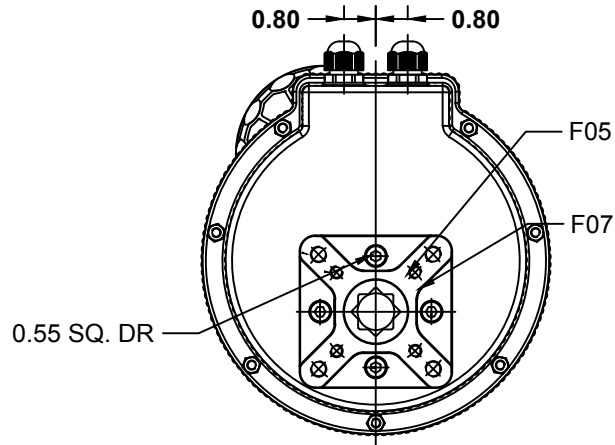


PG11 CONNECTOR  
STYLE X2



### ACTUATOR NOTES

HOUSING MATERIAL	HIGH IMPACT PLASTIC
RATINGS/CERTIFICATIONS	IP67
OPERATING TEMP	-4°F TO 131°F
TORQUE	VB270M: 2390 IN/LBS (270 Nm) VB350M: 3100 IN/LBS (350 Nm)
0° TO 90° CYCLE TIME	50 SEC.
VOLTAGES AVAILABLE:	12 VAC/DC (50% DUTY CYCLE) VB270: 2.85-3.8 AMP VB350: 3.65-4.75 AMP 24VAC/DC (75% DUTY CYCLE) VB270: 1.2-1.8 AMP VB350: 1.65-1.95 AMP 100-240 VAC (75% DUTY CYCLE) VB270: 0.3-0.6 AMP VB350: 0.4-0.75 AMP
LIMIT SWITCHES	2 INTERNAL, STANDARD
INTERNAL HEATER	STANDARD FEATURE
BATTERY BACKUP FAILSAFE	OPTIONAL
4-20mA FEEDBACK	OPTIONAL



DRAWING NAME:  
270-350 SERIES ELECTRIC ACTUATOR:  
(12VAC/DC, 24 VAC/DC, 110-240 VAC)

MATERIAL:	<b>A</b>	DRAWING NUMBER: VB270-350-0XX	REV. <b>1</b>
SCALE: N.T.S.	NAME: MCH	DATE: 10-24-18	