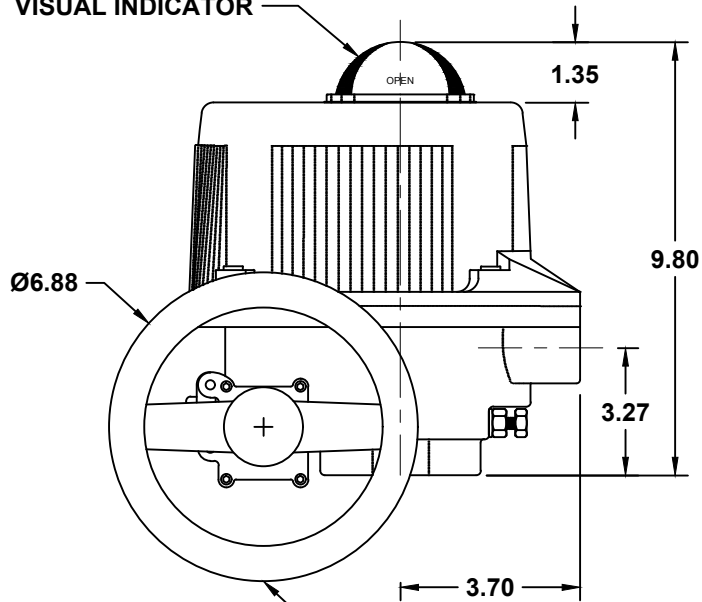
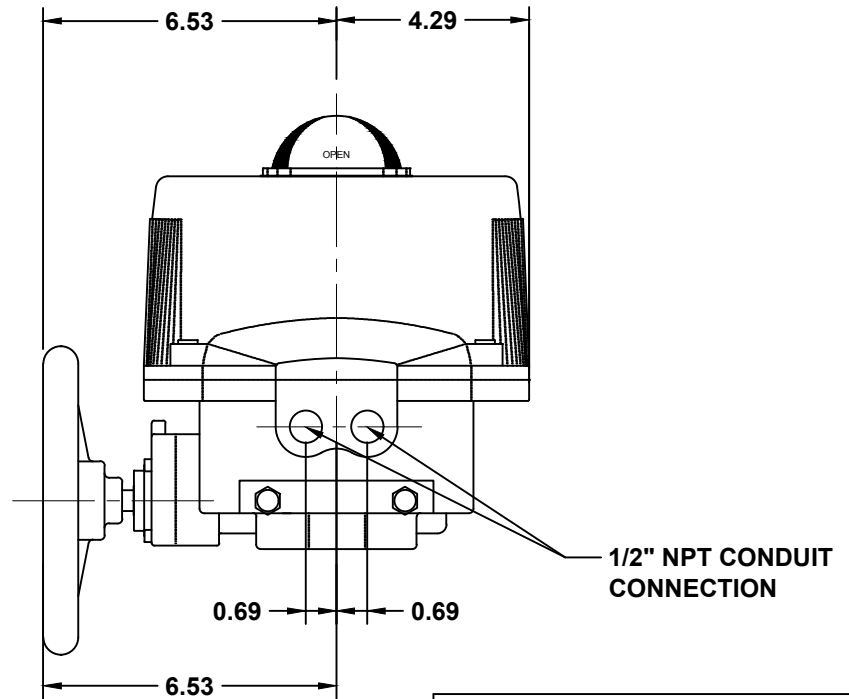


VISUAL INDICATOR

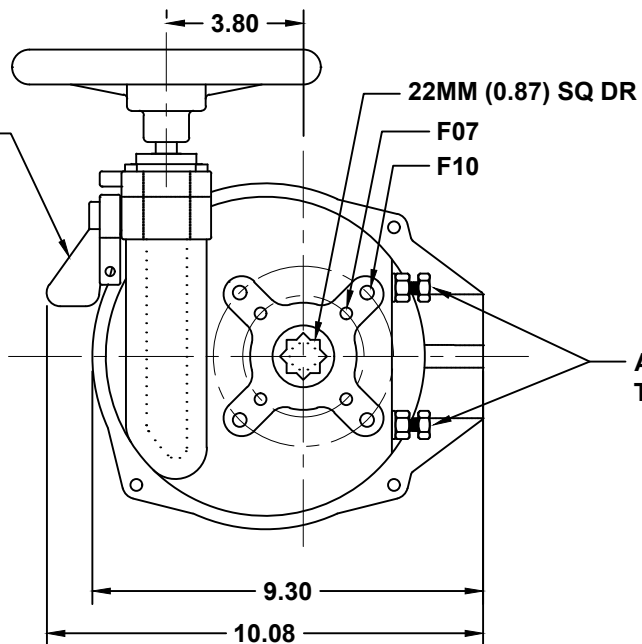


MANUAL OVER RIDE WHEEL



1/2" NPT CONDUIT CONNECTION

LOCKABLE MANUAL OVER-RIDE LEVER



ADJUSTABLE TRAVEL STOPS

ACTUATOR NOTES

HOUSING MATERIAL	POWDER COATED CAST ALUMINUM
RATINGS/CERTIFICATIONS	IP67, UL NMTR.E303174, ROHS 2011/65/EU, CLASS 1 SHOCK PROTECTION
OPERATING TEMP	-4°F TO 131°F
TORQUE	VB270M: 2390 IN/LBS (270 Nm) VB350M: 3100 IN/LBS (350 Nm)
0° TO 90° CYCLE TIME	50 SEC.
VOLTAGES AVAILABLE:	12 VAC/DC (50% DUTY CYCLE) VB270: 2.85-3.8 AMP VB350: 3.65-4.75 AMP
	24VAC/DC (75% DUTY CYCLE) VB270: 1.2-1.8 AMP VB350: 1.65-1.95 AMP
	100-240 VAC (75% DUTY CYCLE) VB270: 0.3-0.6 AMP VB350: 0.4-0.75 AMP
LIMIT SWITCHES	2 INTERNAL, STANDARD
INTERNAL HEATER	STANDARD FEATURE
BATTERY BACKUP FAILSAFE	OPTIONAL
4-20mA FEEDBACK	OPTIONAL



DRAWING NAME:

VB270m thru-350M-0XX

MATERIAL:	A	DRAWING NUMBER:	REV.
		VB110-190M-0XX	2
SCALE: N.T.S.	NAME: MCH	DATE:	10-24-18